

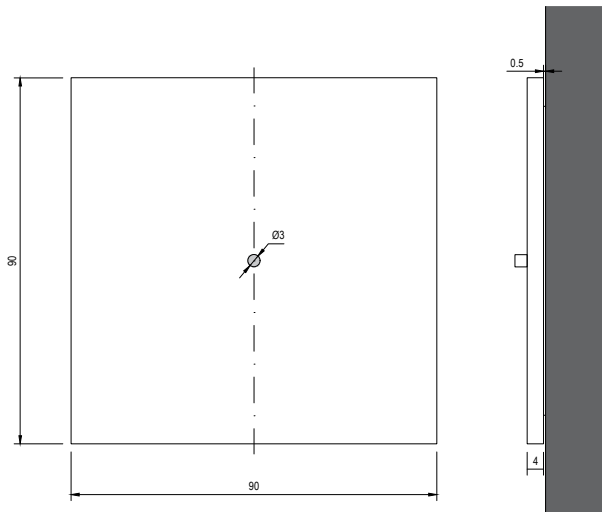
S U M U M

excellence in simplicity

COVER PLATE FOR 1 PUSH BUTTON - UK / SWISS MOUNTING

CHARACTERISTICS

UKS001-E_PIN COVER PLATE	
Material	Solid brass, 4mm
Dimensions	90 x 90 mm - button dia. 3 mm
Mounting	Spring mount
Mechanism type	Single Push button (PF/SMART) - Position E
Installation	Indoor usage only
Color	8 standard warm and cold finishes



USAGE / INSTALLATION

- In combination with PBPfUK001-E / PBSQ(TH)UK001-E / PBSKNX(TH)UK001-E / PBPFSW001-E
- This product must be connected to the grounding of the building according to country laws

SUITABLE FOR STANDARD RECESSED BOXES



SAFETY

- The module must be installed and maintained by an authorized electrical installer in accordance with applicable legal regulations of the country.
- The module can only be used in permanent installations in dry locations in indoor mounting frames.

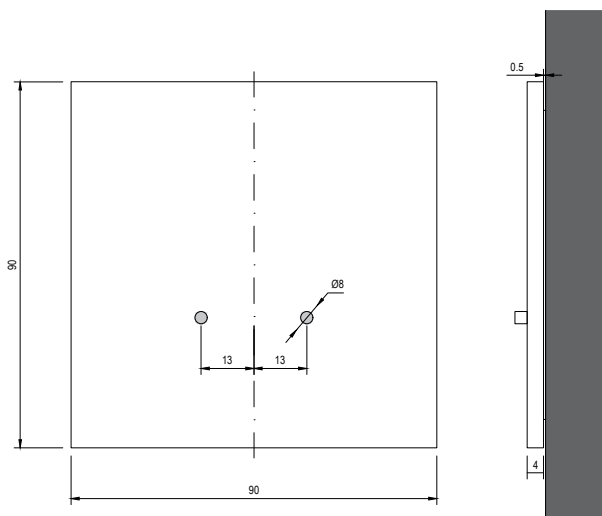
WARANTY

- 2 years SUMUM BV warranty

COVER PLATE FOR 2 PUSH BUTTONS - UK / SWISS MOUNTING

CHARACTERISTICS

UKS002-CD_PIN COVER PLATE	
Material	Solid brass, 4mm
Dimensions	90 x 90 mm - button dia. 3 mm
Mounting	Spring mount
Mechanism type	Double Push button (PF/SMART) - Position CD
Installation	Indoor usage only
Color	8 standard warm and cold finishes



USAGE / INSTALLATION

- In combination with PBPfUK002-CD / PBSQ(TH)UK004-ABCD / PBSKNX(TH)UK004-ABCD / PBPFSW002-CD
- This product must be connected to the grounding of the building according to country laws

SUITABLE FOR STANDARD RECESSED BOXES



SAFETY

- The module must be installed and maintained by an authorized electrical installer in accordance with applicable legal regulations of the country.
- The module can only be used in permanent installations in dry locations in indoor mounting frames.

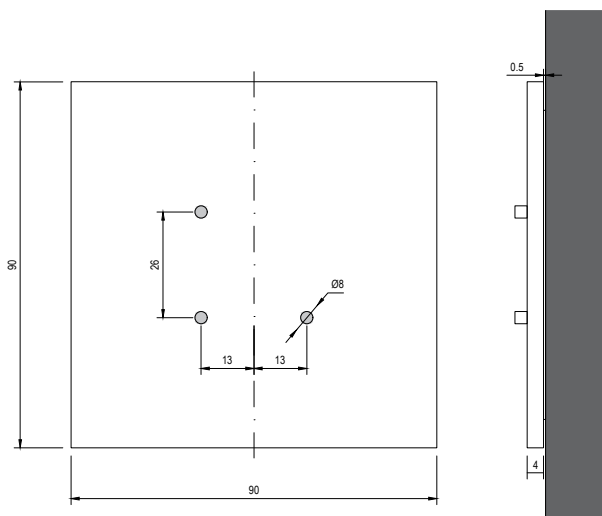
WARANTY

- 2 years SUMUM BV warranty

COVER PLATE FOR 3 PUSH BUTTONS - UK / SWISS MOUNTING

CHARACTERISTICS

UKS003-ACD_PIN COVER PLATE	
Material	Solid brass, 4mm
Dimensions	90 x 90 mm - button dia. 3 mm
Mounting	Spring mount
Mechanism type	Triple Push button (PF/SMART) - Position ACD
Installation	Indoor usage only
Color	8 standard warm and cold finishes



USAGE / INSTALLATION

- In combination with PBPFFUK003-ACD / PBSQ(TH)UK004-ABCD / PBSKNX(TH)UK004-ABCD / PBPFSW003-ACD
- This product must be connected to the grounding of the building according to country laws

SUITABLE FOR STANDARD RECESSED BOXES



SAFETY

- The module must be installed and maintained by an authorized electrical installer in accordance with applicable legal regulations of the country.
- The module can only be used in permanent installations in dry locations in indoor mounting frames.

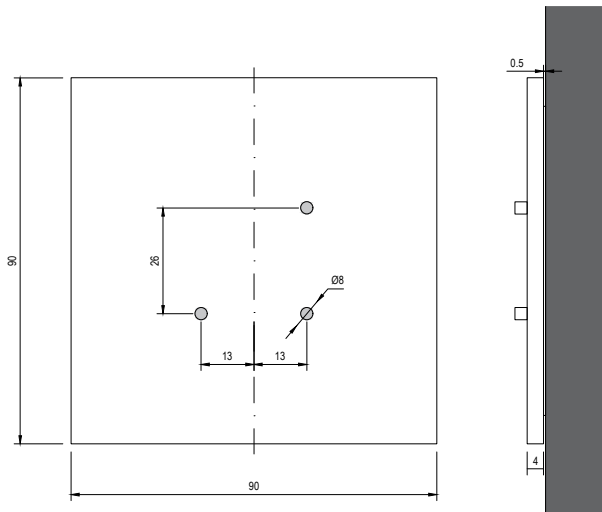
WARANTY

- 2 years SUMUM BV warranty

COVER PLATE FOR 3 PUSH BUTTONS - UK / SWISS MOUNTING

CHARACTERISTICS

UKS003-BCD_PIN COVER PLATE	
Material	Solid brass, 4mm
Dimensions	90 x 90 mm - button dia. 3 mm
Mounting	Spring mount
Mechanism type	Triple Push button (PF/SMART) - Position BCD
Installation	Indoor usage only
Color	8 standard warm and cold finishes



USAGE / INSTALLATION

- In combination with PBPFFUK003-BCD / PBSQ(TH)UK004-ABCD / PBSKNX(TH)UK004-ABCD / PBPFSW003-BCD
- This product must be connected to the grounding of the building according to country laws

SUITABLE FOR STANDARD RECESSED BOXES



SAFETY

- The module must be installed and maintained by an authorized electrical installer in accordance with applicable legal regulations of the country.
- The module can only be used in permanent installations in dry locations in indoor mounting frames.

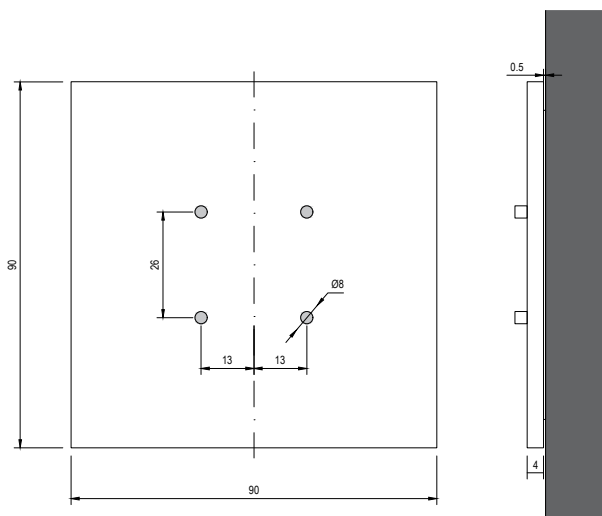
WARANTY

- 2 years SUMUM BV warranty

COVER PLATE FOR 4 PUSH BUTTONS - UK / SWISS MOUNTING

CHARACTERISTICS

UKS004-ABCD_PIN COVER PLATE	
Material	Solid brass, 4mm
Dimensions	90 x 90 mm - button dia. 3 mm
Mounting	Spring mount
Mechanism type	Quadruple Push button (PF/SMART) - Position ABCD
Installation	Indoor usage only
Color	8 standard warm and cold finishes



USAGE / INSTALLATION

- In combination with PBPfUK004-ABCD / PBSQ(TH)UK004-ABCD / PBSKNX(TH)UK004-ABCD / PBPfSW004-ABCD
- This product must be connected to the grounding of the building according to country laws

SUITABLE FOR STANDARD RECESSED BOXES



SAFETY

- The module must be installed and maintained by an authorized electrical installer in accordance with applicable legal regulations of the country.
- The module can only be used in permanent installations in dry locations in indoor mounting frames.

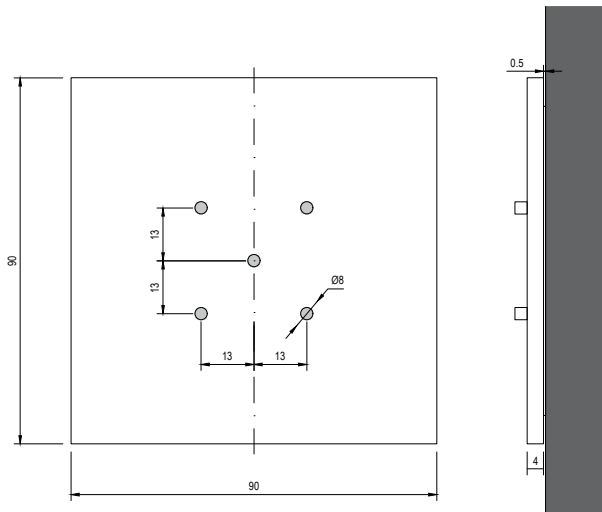
WARANTY

- 2 years SUMUM BV warranty

COVER PLATE FOR POTENTIAL FREE PUSH BUTTON MECHANISM ONLY (5 PUSH BUTTONS) - UK / SWISS MOUNTING

CHARACTERISTICS

UKS005-ABCDE_PIN COVER PLATE	
Material	Solid brass, 4mm
Dimensions	90 x 90 mm - button dia. 3 mm
Mounting	Spring mount
Mechanism type	Quintuple Push button PF - Position ABCDE
Installation	Indoor usage only
Color	8 standard warm and cold finishes



USAGE / INSTALLATION

- In combination with PBPfUK005-ABCDE / PBPfSW005-ABCDE
- This product must be connected to the grounding of the building according to country laws

SUITABLE FOR STANDARD RECESSED BOXES



SAFETY

- The module must be installed and maintained by an authorized electrical installer in accordance with applicable legal regulations of the country.
- The module can only be used in permanent installations in dry locations in indoor mounting frames.

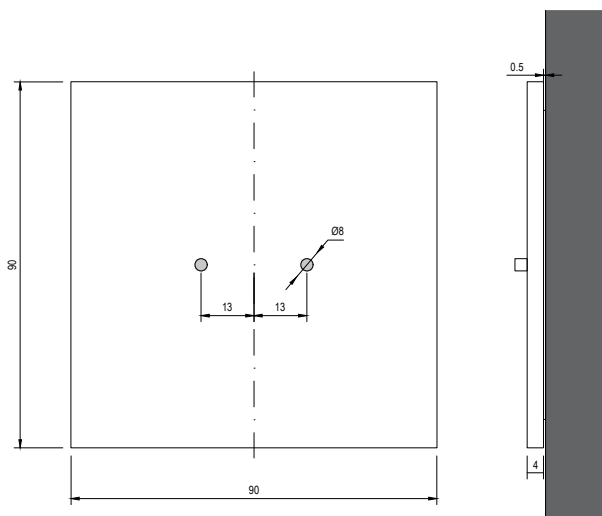
WARANTY

- 2 years SUMUM BV warranty

COVER PLATE FOR POTENTIAL FREE PUSH BUTTON MECHANISM ONLY (2 PUSH BUTTONS) - UK / SWISS MOUNTING

CHARACTERISTICS

UKS002-FG_H_PIN COVER PLATE	
Material	Solid brass, 4mm
Dimensions	90 x 90 mm - button dia. 3 mm
Mounting	Spring mount
Mechanism type	Double Push button PF - Position FG horizontal
Installation	Indoor usage only
Color	8 standard warm and cold finishes



USAGE / INSTALLATION

- In combination with PBPFFUK002-FG_H / PBPFSW002-FG_H
- This product must be connected to the grounding of the building according to country laws

SUITABLE FOR STANDARD RECESSED BOXES



SAFETY

- The module must be installed and maintained by an authorized electrical installer in accordance with applicable legal regulations of the country.
- The module can only be used in permanent installations in dry locations in indoor mounting frames.

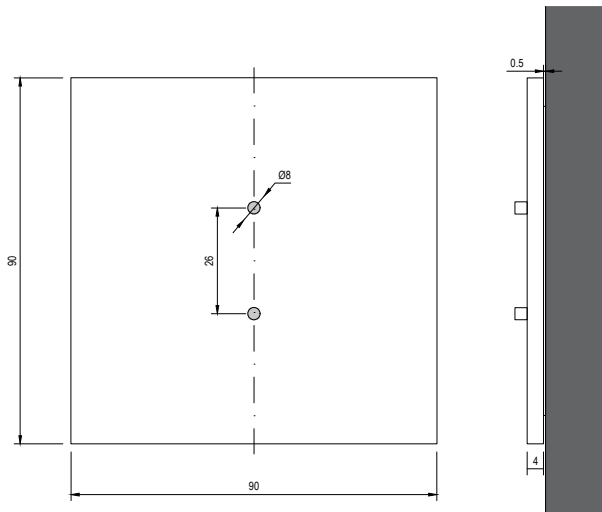
WARANTY

- 2 years SUMUM BV warranty

COVER PLATE FOR POTENTIAL FREE PUSH BUTTON MECHANISM ONLY (2 PUSH BUTTONS) - UK / SWISS MOUNTING

CHARACTERISTICS

UKS002-FG_V_PIN COVER PLATE	
Material	Solid brass, 4mm
Dimensions	90 x 90 mm - button dia. 3 mm
Mounting	Spring mount
Mechanism type	Double Push button PF - Position FG vertical
Installation	Indoor usage only
Color	8 standard warm and cold finishes



USAGE / INSTALLATION

- In combination with PBPfUK002-FG_V / PBPfSW002-FG_V
- This product must be connected to the grounding of the building according to country laws

SUITABLE FOR STANDARD RECESSED BOXES



SAFETY

- The module must be installed and maintained by an authorized electrical installer in accordance with applicable legal regulations of the country.
- The module can only be used in permanent installations in dry locations in indoor mounting frames.

WARANTY

- 2 years SUMUM BV warranty

S U M U M