

S U M U M

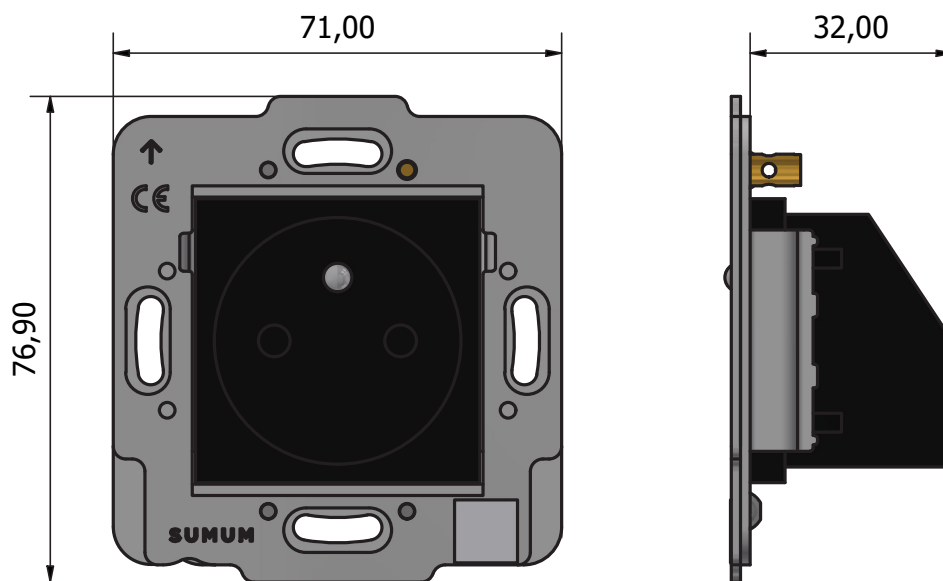
excellence in simplicity

**OUTLET MECHANISM
TYPE E**

TYPE E OUTLET SINGLE - BLACK

CHARACTERISTICS

OUTMES001HB MECHANISM	
Material	Metal - Stainless steel / brass / PVC
Dimensions	76,9 x 71 mm
Mounting	Screws
Mechanism type	230V Type E - colour black
Installation	Indoor usage only



USAGE / INSTALLATION

- In combination with SUMUM coverplates only
- This product must be connected to the grounding of the building according to country laws

CERTIFICATION

CE conformity

SAFETY

- The module must be installed and maintained by an authorized electrical installer in accordance with applicable legal regulations of the country.
- The module can only be used in permanent installations in dry locations in indoor mounting frames.

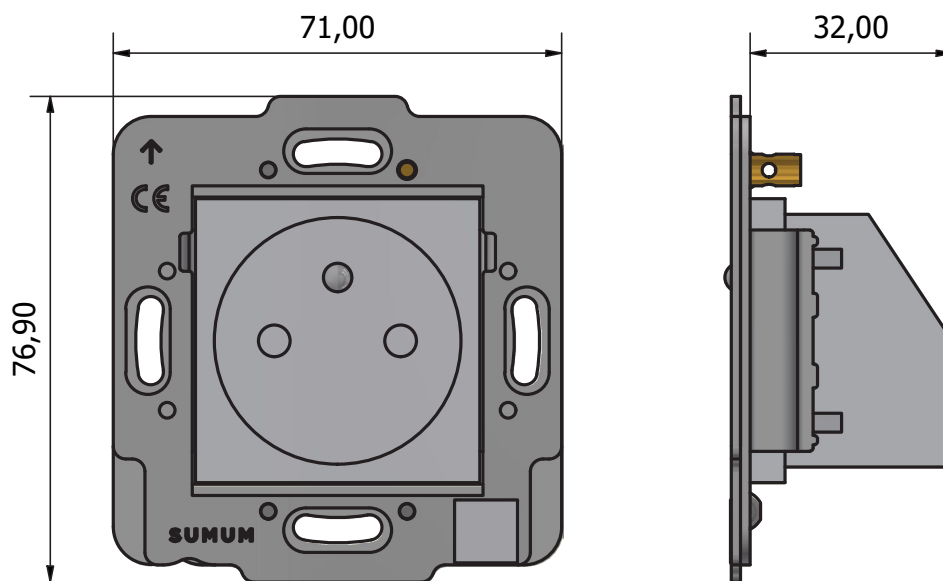
WARANTY

- 2 years SUMUM BV warranty

TYPE E OUTLET SINGLE - WHITE

CHARACTERISTICS

OUTMES001HW MECHANISM	
Material	Metal - Stainless steel / brass / PVC
Dimensions	76,9 x 71 mm
Mounting	Screws
Mechanism type	230V Type E - colour white
Installation	Indoor usage only



USAGE / INSTALLATION

- In combination with SUMUM coverplates only
- This product must be connected to the grounding of the building according to country laws

CERTIFICATION

CE conformity

SAFETY

- The module must be installed and maintained by an authorized electrical installer in accordance with applicable legal regulations of the country.
- The module can only be used in permanent installations in dry locations in indoor mounting frames.

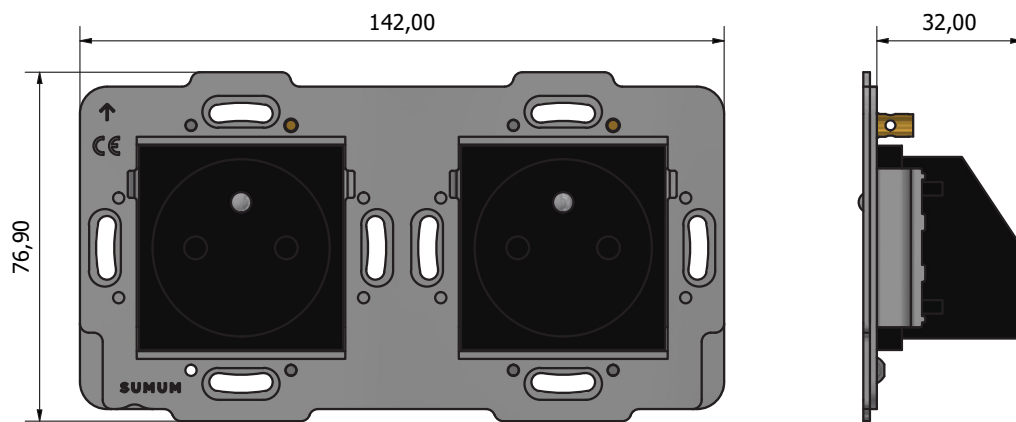
WARANTY

- 2 years SUMUM BV warranty

TYPE E OUTLET DOUBLE HORIZONTAL - BLACK

CHARACTERISTICS

OUTMES002HB MECHANISM	
Material	Metal - Stainless steel / brass / PVC
Dimensions	76,9 x 142 mm
Mounting	Screws
Mechanism type	230V Type E - colour black
Installation	Indoor usage only



USAGE / INSTALLATION

- In combination with SUMUM coverplates only
- This product must be connected to the grounding of the building according to country laws

CERTIFICATION

CE conformity

SAFETY

- The module must be installed and maintained by an authorized electrical installer in accordance with applicable legal regulations of the country.
- The module can only be used in permanent installations in dry locations in indoor mounting frames.

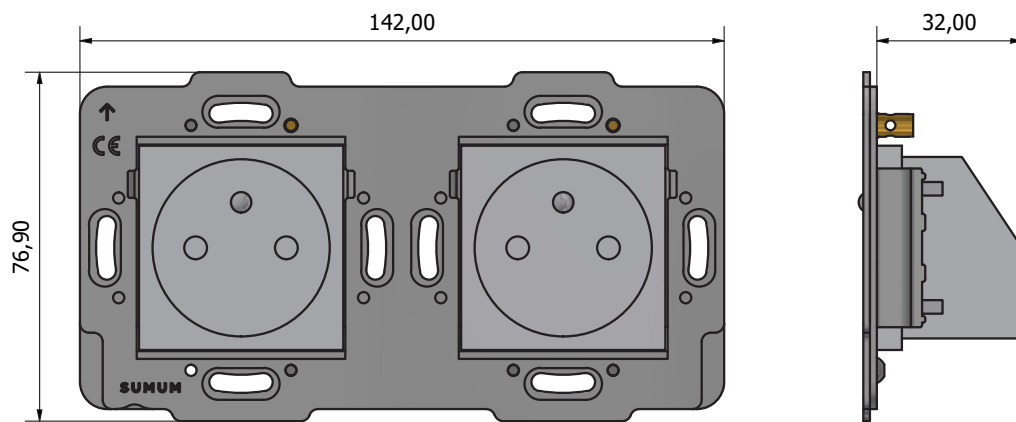
WARANTY

- 2 years SUMUM BV warranty

TYPE E OUTLET DOUBLE HORIZONTAL - WHITE

CHARACTERISTICS

OUTMES002HW MECHANISM	
Material	Metal - Stainless steel / brass / PVC
Dimensions	76,9 x 142 mm
Mounting	Screws
Mechanism type	230V Type E - colour white
Installation	Indoor usage only



USAGE / INSTALLATION

- In combination with SUMUM coverplates only
- This product must be connected to the grounding of the building according to country laws

CERTIFICATION

CE conformity

SAFETY

- The module must be installed and maintained by an authorized electrical installer in accordance with applicable legal regulations of the country.
- The module can only be used in permanent installations in dry locations in indoor mounting frames.

WARANTY

- 2 years SUMUM BV warranty

S U M U M